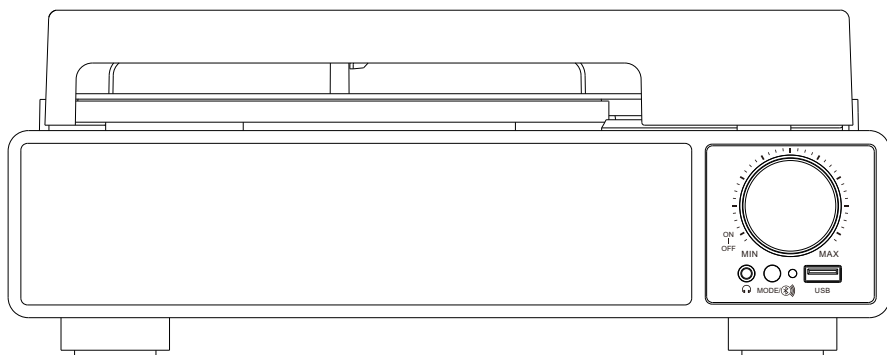




Amherst  
All-in-One Turntable with AudioStream™

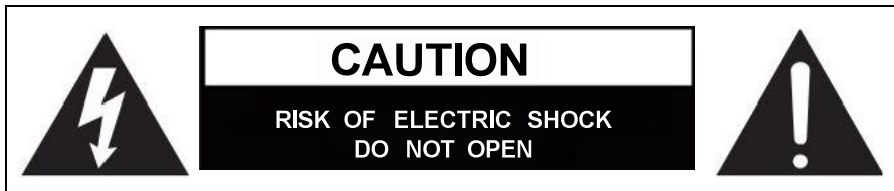
VHRP-1405



## Instruction Manual

Please read carefully before use and keep for future reference.

# WARNING



CAUTION: TO REDUCE THE RISK OF ELECTRIC SHOCK,DO NOT REMOVE COVER(OR BACK).NO USER SERVICEABLE PARTS INSIDE.REFER SERVICING TO QUALIFIED SERVICE PERSONNEL.



**DANGEROUS VOLTAGE:** The lightning flash with arrowhead symbol within an equilateral triangle is intended to alert the user to the presence of uninsulated dangerous voltage within the product's enclosure that may be of sufficient magnitude to constitute a risk of electric shock to persons.



**ATTENTION:** The exclamation point within an equilateral triangle is intended to alert the user to the presence of important operating and maintenance (servicing) instructions in the literature accompanying the appliance.



**WARNING:** Invisible laser radiation when open and interlock failed or defeated. Avoid direct exposure to laser beam.



This equipment is a Class II or double insulated electrical appliance. It has been designed in such a way that it does not require a safety connection to electrical earth.

## Important Safety Instructions

1. Read these instructions- All the safety and operating instructions should be read before this product is operated.
2. Keep these instructions-The safety and operating instructions should be retained for future reference.
3. Heed all warnings- All warnings on the appliance and in the operating instructions should be adhered to.
4. Follow all instructions- All operating and use instructions should be followed.
5. Do not use this apparatus near water-The appliance should not be used near water or moisture-for example,in a wet basement or near a swimming pool.
6. Clean only with a dry cloth.
7. Do not block any ventilation openings. Install in accordance with the manufacturer's instructions.
8. Do not install near any heat sources such as radiators,heat registers,stoves,or other devices(including amplifiers)that produce heat.
9. Protect the power cord from being walked on or pinched-particularly at the plugs,power outlets,and at the point where they exit from the apparatus.
10. Only use attachments or accessories specified by the manufacturer.

11. Use only with the cart, stand, tripod, bracket, or table specified by the manufacturer, or sold with the apparatus. When a cart or rack is used, use caution when moving the cart/apparatus combination to avoid injury from tip-over.



12. Unplug the apparatus during lightning storms or when unused for long periods of time.

13. Refer all servicing to qualified personnel. Servicing is required when the apparatus has been damaged in any way, such as when a power supply cord or plug is damaged, liquid has been spilled or objects have fallen into the device, the device has been exposed to rain or moisture, the device does not operate normally, or the device has been dropped.

14. If the plug is used as a disconnect device, the disconnect device must stay easily operable.

15. **WARNING:** To reduce the risk of fire or electric shock, do not expose this device to rain or moisture. The device shall not be exposed to dripping or splashing, and no objects filled with liquids, such as vases, shall be placed on the device.

16. Use the equipment only in moderate climates.

17. The ventilation should not be impeded. Do not cover the ventilation openings with items, such as newspapers, tablecloths, or curtains.

18. Do not place open flame sources, such as lighted candles, on the apparatus.

19. The symbol with ~ indicates AC voltage.

20. **CAUTION:** These servicing instructions are for use by qualified service personnel only. To reduce the risk of electric shock do not perform any servicing other than that contained in the operating instructions unless you are qualified to do so.

# FEATURES

- **3-SPEED TURNTABLE** – Enjoy your favorite records with a turntable that supports all three speeds: 33-1/3, 45, and 78 RPM.
- **AUDIOSTREAM™ FUNCTION** -- Wirelessly stream music from device to external Bluetooth speakers, earphones, headphones.
- **BLUETOOTH®** – Stream music wirelessly from your smart device with Bluetooth connection.
- **BUILT IN STEREO SPEAKERS** -- Built in Stereo Speakers provides for an enjoyable playback experience with no other connections necessary. Plug this unit into the wall and you are ready to enjoy all the features.
- **MULTIPLE PLAYBACK OPTIONS** - Play your music your way with USB playback for MP3 files, a headphone jack for private listening, and RCA outputs to connect to a full stereo system.
- **COMPLETE STARTER KIT** -Comes with everything you need to start spinning records right out of the box.

# SPECIFICATIONS

Turntable Speed: 33 $\frac{1}{3}$  / 45 / 78 RPM

Bluetooth® Version: 6.0

AudioStream™: Wirelessly stream music from device to external Bluetooth® speakers.

Speaker Output: 2 x 3W

Speaker Frequency: 20-20,000 Hz

Playback Media: MP3

Input: Bluetooth In, USB

Output: Bluetooth Out, RCA Line Out, 3.5mm Headphone Jack

Power Source: DC 5V, 1A

# PRODUCT OVERVIEW

## Getting Started

Remove the unit from the box. Remove any packaging from the unit.  
Place the packaging inside the box and either store or dispose of safely.

## AUDIOSTREAM™ (Bluetooth Out)

AUDIOSTREAM™ lets you wirelessly stream audio from this system to external Bluetooth speakers, earphones, headphones. In other words, AUDIOSTREAM™ is our branded name for the Bluetooth output feature. This is different from the Bluetooth® input function, which lets you play music from your smart device to this system. Thus, this device allows you to both wirelessly stream music into (i.e., Bluetooth In) or out of (i.e., Bluetooth Out) the device for your enjoyment.

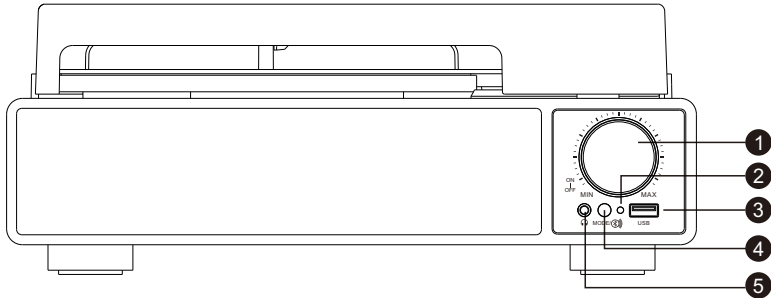
## In the Box

Amherst All-in-One Turntable with AudioStream™

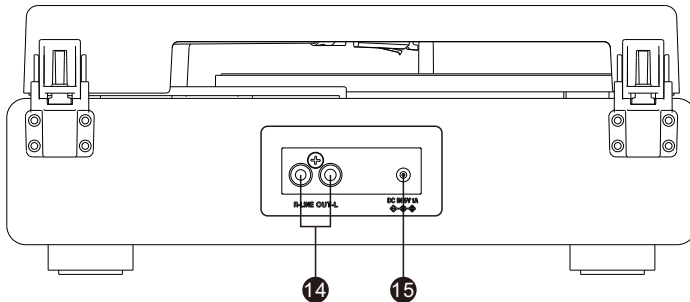
RCA Cable, 45 RPM Adapter, Felt Slipmat, ETL Power Adapter, User Manual, Warranty and Review Card

## Location of Controls

### Front View

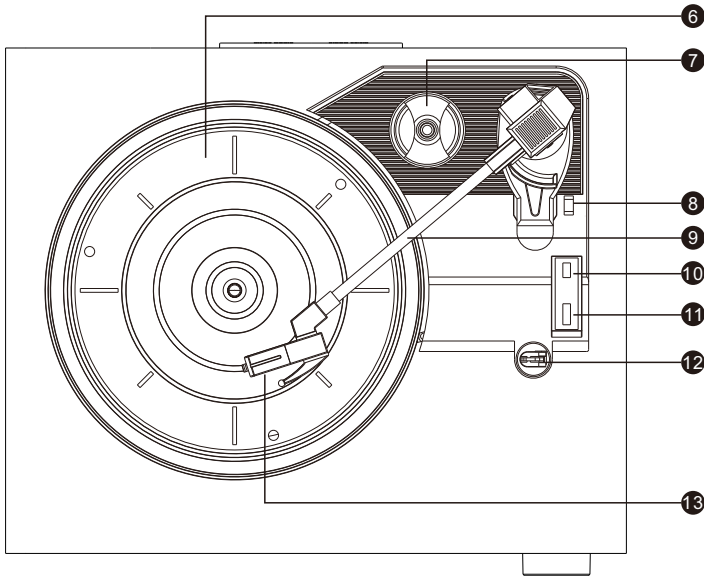


### Back View



# PRODUCT OVERVIEW

## Turntable



1: On / Off / Volume Control Dial

2: LED indicator

3: USB Port

4: Mode button

5: Headphone jack

6: Turntable

7: 45 RPM adapter

8: Lever

9: Tone Arm

10: Auto Stop On/Off Switch

11: Speed Selector

12: Tone Arm Holder

13: Turntable Pickup

14: Line Out ports

15: DC port ( 5V 1A)

## Cleaning the music system

Wipe the music system with a soft ,dry, lint-free cloth.

### Do not:

Immerse the music system in water or any other liquid.

Expose the music system to liquid,moisture or humidity to avoid the unit's internal circuit being affected. Use any abrasive cleaning solvents to clean the music system, as this can cause damage. Expose the music system to extremely high or low temperatures,as this will shorten the life of electronic devices, destroy the battery or distort certain plastic parts.

Drop the music system,as the internal circuit may become damaged.

Attempt to disassemble the media centre,as this may cause damage to the unit.

Dispose of the music system in a fire ,as it will result in an explosion.

# BASIC OPERATIONS

## Powering On

Insert the DC plug of the power adapter into the **DC IN** socket located on the rear of the unit. Plug the adapter into a mains power outlet and switch the outlet on.

Turn the **On/Off/Volume** dial clockwise until you hear a click. The system is now powered on.

## Selecting a Mode

- Press the **MODE** button briefly to cycle through the available modes:
  - **Bluetooth**
  - **Turntable**
  - **USB Playback**Please note, it will prompt USB mode only after inserting USB flash drive

## AudioStream (Bluetooth Out Function)

- Press and hold the **MODE** button to activate **AudioStream (Bluetooth Out)** mode. This allows the turntable to transmit audio wirelessly to Bluetooth speakers or headphones.
- Switch your external speaker or headphones to Bluetooth pairing mode. The devices will pair automatically
- Once connected, audio will stream wirelessly

## Adjusting the Volume

- Rotate the **On/Off/Volume** dial:
  - Clockwise to increase volume
  - Counterclockwise to decrease volume

## Powering Off

- Rotate the **On/Off/Volume** dial counterclockwise until you hear a click.

## Listening to a Record

**STEP 1:** Turn on the music system by rotating the On/Off/Volume Dial clockwise until it clicks.

**STEP 2:** Briefly press the MODE button until Turntable mode is selected.

**STEP 3:** Remove the protective white stylus (needle) cover by gently sliding it away from the tonearm.

**STEP 4:** Carefully place a record onto the turntable platter.

If playing a 45 RPM record with a large center hole, first insert the supplied 45 RPM adapter.

**STEP 5:** Release the tonearm by disengaging the arm lock.

**STEP 6:** Raise the tonearm using the cue lever (arm raising lever) , or carefully lift it by hand.

**STEP 7:** Move the tonearm to the outer edge of the record and gently lower it onto the record. The turntable will begin spinning automatically and playback will start.

**STEP 8:** Once the tonearm reaches the end of the record at the center of the turntable, the turntable will stop. Lift the tonearm and place it back on the armrest.

**STEP 9:** Secure the tonearm by re-engaging the arm lock.

**STEP 10:** To turn off the turntable, rotate the On/Off/Volume Dial counterclockwise until it clicks.

## Note:

Always secure the tonearm with the arm lock before transporting the unit to prevent damage.

# BASIC OPERATIONS

## Listening Through Bluetooth

Bluetooth Input (Playing Music from a Bluetooth Device to the Turntable)

**STEP 1:** Turn on the music system by rotating the On/Off/Volume Dial clockwise until it clicks.

Briefly press the MODE button until Bluetooth mode is selected.

**STEP 2:** On your Bluetooth-compatible device (smartphone, tablet, etc.), search for available devices.

**STEP 3:** Select “ VHRP-1405 ” from the device list to pair and connect.

**Note:** Once connected, playback and volume can be controlled either from the music system or from your Bluetooth device.

## AUDIOSTREAM™ (Bluetooth Output) – Playing Turntable Audio on External Bluetooth Devices

You can stream audio from the music system to external Bluetooth speakers, soundbars, earbuds, or headphones.

**STEP 1:** Disable Bluetooth on all nearby previously paired devices (e.g., smartphones, tablets, speakers, headphones) to avoid automatic reconnection.

**STEP 2:** Start playback in Turntable (Phono) or USB mode.

**STEP 3:** Press and hold the MODE button to activate Bluetooth Out (AudioStream) mode.

**STEP 4:** Power on your external Bluetooth device and set it to pairing mode.

**STEP 5:** After a few seconds, the music system and the external Bluetooth device will connect automatically.

**STEP 6:** Adjust the playback volume using the controls on this unit or your Bluetooth device.

## Listening Through RCA Output

**STEP 1:** Connect the supplied RCA cable to the RCA OUT ports on the back of the music system.

Match the plug colors correctly:

- Red to red
- White to white

Connect the other end of the RCA cable to the corresponding input on your external amplifier or powered speakers.

**STEP 2:** Select the desired playback mode and enjoy your music.

## Listening Through Headphones

**STEP 1:** Insert your headphones into the Headphone Jack.

**STEP 2:** Adjust the volume using the On/Off/Volume Dial and enjoy your music.

## Warning:

Do not use headphones at high volume levels for extended periods, as this may cause hearing damage.

## USB Playback

**STEP 1:** Power on the unit.

**STEP 2:** Insert a USB flash drive into the USB port.

**STEP 3:** The unit will automatically begin playback. USB mode has priority when a USB drive is inserted.

# CARE / MAINTENANCE

## Replacing The Stylus

Under normal use, the stylus has an estimated lifespan of approximately 400–450 hours. However, it is recommended to replace the stylus as soon as you notice a decline in sound quality.

Continued use of a worn stylus may damage your records. Please note that playing 78 RPM records may cause the stylus to wear out more quickly.

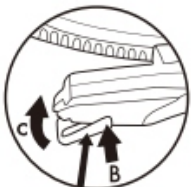
### Removing the Old Stylus

- STEP 1:** Ensure the unit is powered off by rotating the On/Off/Volume Dial counterclockwise until it clicks.  
**STEP 2:** Carefully place a small flat-head screwdriver at the front tip of the stylus and gently push downward (A).  
**STEP 3:** Remove the stylus by pulling it downward and forward at the same time.



### Installing a New Stylus

- STEP 1:** Hold the new stylus by its front edge (needle side).  
**STEP 2:** Insert the rear edge of the stylus into the tonearm cartridge (B).  
**STEP 3:** Gently push the stylus upward until it clicks and locks into position (C).



Guide pins  
(inside)

### Caution

- Always power off the unit before replacing the stylus.
- Do not bend the stylus.
- Do not touch the needle tip, as this may cause injury or damage the stylus.
- Handle the stylus carefully to avoid damaging your records.

## FCC NOTICE

This device complies with Part 15 of the FCC Rules. Operation is subject to the following two conditions: (1) this device may not cause harmful interference, and (2) this device must accept any interference received, including that may cause undesired operation.

NOTE: This equipment has been tested and found to comply with the limits for a Class B digital device, pursuant to Part 15 of the FCC Rules. These limits are designed to provide reasonable protection against harmful interference in a residential installation. This equipment generates, uses, and can radiate radio frequency energy and, if not installed and used in accordance with the instructions, may cause harmful interference to radio communications. However, there is no guarantee that interference will not occur in a particular installation. If this equipment does cause harmful interference to radio or television reception, which can be determined by turning the equipment on and off, the user is encouraged to try to correct the interference by one or more of the following measures:

- Reorient or relocate the receiving antenna.
- Increase the separation between the equipment and receiver.
- Connect the equipment into an outlet on a circuit different from that to which the receiver is connected.
- Consult the dealer or an experienced radio/TV technician for help.

WARNING: Any changes or modifications not expressly approved by the party responsible for compliance could void the user's authority to operate this equipment.

The device must not be collocated or operating in conjunction with any other antenna or transmitter. To maintain compliance with the FCC's RF exposure guidelines, place the product at least 20cm from nearby persons.

## CAUTION ON MODIFICATIONS

Any changes or modifications not expressly approved by the grantee of this device may void the authority granted by the FCC to operate this equipment. Electric and electronic equipment contains materials, components and substances that can be hazardous to your health and the environment, if the waste material (discarded electric and electronic equipment) is not handled correctly. Electric and electronic equipment is marked with the crossed-out trash can symbol, seen the right side. This symbol signifies that electric and electronic equipment should not be disposed of with other household waste but should be disposed of separately. All cities have established collection points, where electric and electronic equipment can either be submitted free of charge at recycling stations and other collection sites or be collected from the households. Additional information is available at the technical department of your city.



## SUPPORT

We do our best to offer high quality products to our customers. If you experience any issues or problems with your product, please contact customer support as many issues can be quickly resolved.

If you have problems with your device, please consult the instructions in this manual. Please also visit us on the web at [www.victoraudio.com](http://www.victoraudio.com) to get up to the minute news, alerts, and documentation for your device. For additional assistance, please contact VICTOR Technical Support.

**VICTOR Technical Support**  
2320 East 49th Street  
Vernon, CA 90058  
Tel: (866) 411-6292  
Email: [support@victoraudio.com](mailto:support@victoraudio.com)

Made in China

\* *This product has been manufactured and sold under the responsibility of NAXA ELECTRONICS INC.*

*VICTOR and the DOG & GRAMOPHONE logo are trademarks used under license by NAXA ELECTRONICS INC. Further information at [www.victoraudio.com](http://www.victoraudio.com).*

*All other products, services, companies, trademarks, trade or product names and logos referenced herein are the property of their respective owners*